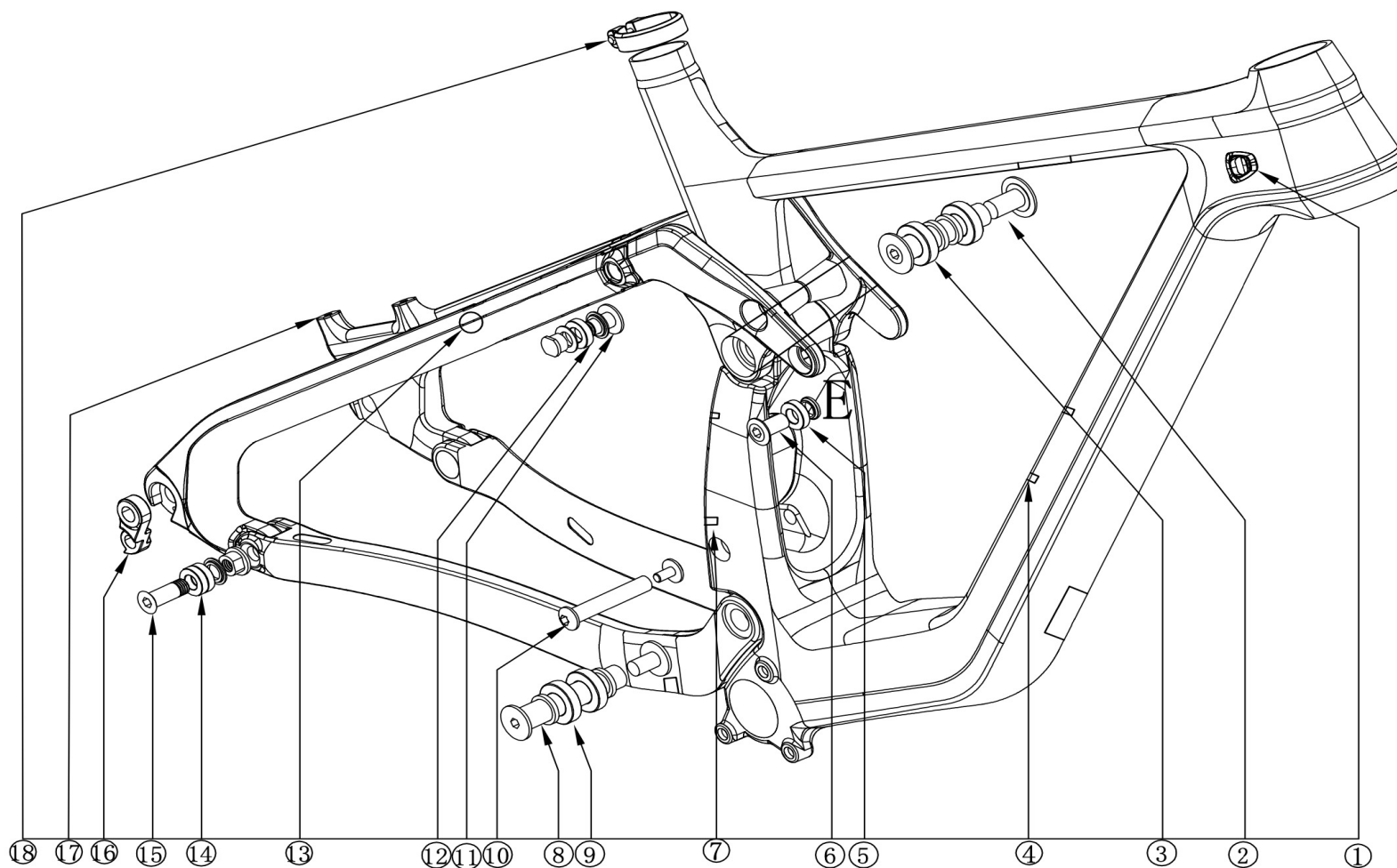


SCIU ASPEN

Small parts & torques



We like it simple! Please have a look at the frame drawing and the corresponding table. There you will find the part / torque you are looking for.

Every screw on our frames has a certain torque! We ask you to note this! Improper assembly and ignoring the maximum torque will result in damage to or destruction of the frame. These are not covered by the warranty! All screws must also be secured with a liquid screw lock (medium strength)! So check the torque and if you have any questions, simply contact our team. Mail: info@sciu-bikes.com

SCIUR ASPEN

Small parts & torques

No.	Description	Dimension	Torque (max)
1	Cable guide	M3xP0.5	1.2Nm
2	Upper link pivot	M15xP1.0	10Nm
3	Upper link bearing	ø28xø15-7mm	2pcs
4	Bottle/Bag hardware	M5xP0.8	5Nm
5	Upper link hardware bearing	ø19xø10-5mm	2pcs
6	Upper link pivot shock	M10xP1.0	10Nm
7	Cable guide	M10xP1.0	3pcs
8	Rear triangle Lower Pivot	M15xP1.0	10Nm
9	Rear triangle Lower Pivot bearing	ø28xø15-7mm	2pcs
10	Mounting Hardware low	M10xP1.0	8Nm
11	Rear triangle high Pivot	M10xP1.0	8Nm
12	Rear triangle high Pivot bearing	ø19xø10-5mm	2pcs
13	Cable guide	M5xP0.8	5Nm
14	Rear triangle layed back Pivot bearing	ø19xø10-5mm	2pcs
15	Rear triangle layed back Pivot	M10xP1.0	8Nm
16	Dropout bold	M3xP0.5	1.2Nm
17	Break mounts Hardware	M6xP1.0	6Nm
18	Seat Clamp	M6xP1.0	6Nm